

# SPECIFICATION

Product Name: Integrated Air Quality Sensor Module

Model: AM1008W-K

Version: V0.1

Date: July 17, 2019

Writer	Audit	Approved
Mei Yang		

# Revision

No.	Version	Content	Reviser	Date

# Integrated Air Quality Sensor Module

AM1008W-K



## Applications

- Air purifier
- Air quality monitor
- Air conditioner
- Ventilation system
- Consumer electronic products
- Environmental monitoring

## Description

AM1008W is an indoor air quality sensor module with highly integrated ultra-thin laser particle sensor, NDIR CO<sub>2</sub> sensor, semiconductor VOC sensor, temperature, and humidity sensor, which can real-time output digital measurement data. It is with stable performance, compact structure design, multi-function and optional connection ways, which can be widely used for IAQ monitor, air purifier, ventilation system, air conditioner, etc.

## Features

- Highly integrated with sensors including laser particle, NDIR CO<sub>2</sub>, VOC, temperature, humidity for option
- The NDIR CO<sub>2</sub> sensor is with high low power consumption, auto-calibration
- Ultra-thin (height is only 12mm) laser particle sensor with four working mode
- Easy to install and debugging simply
- With voltage regulator design and EMC compliant, strong anti-static ability

## Working Principle

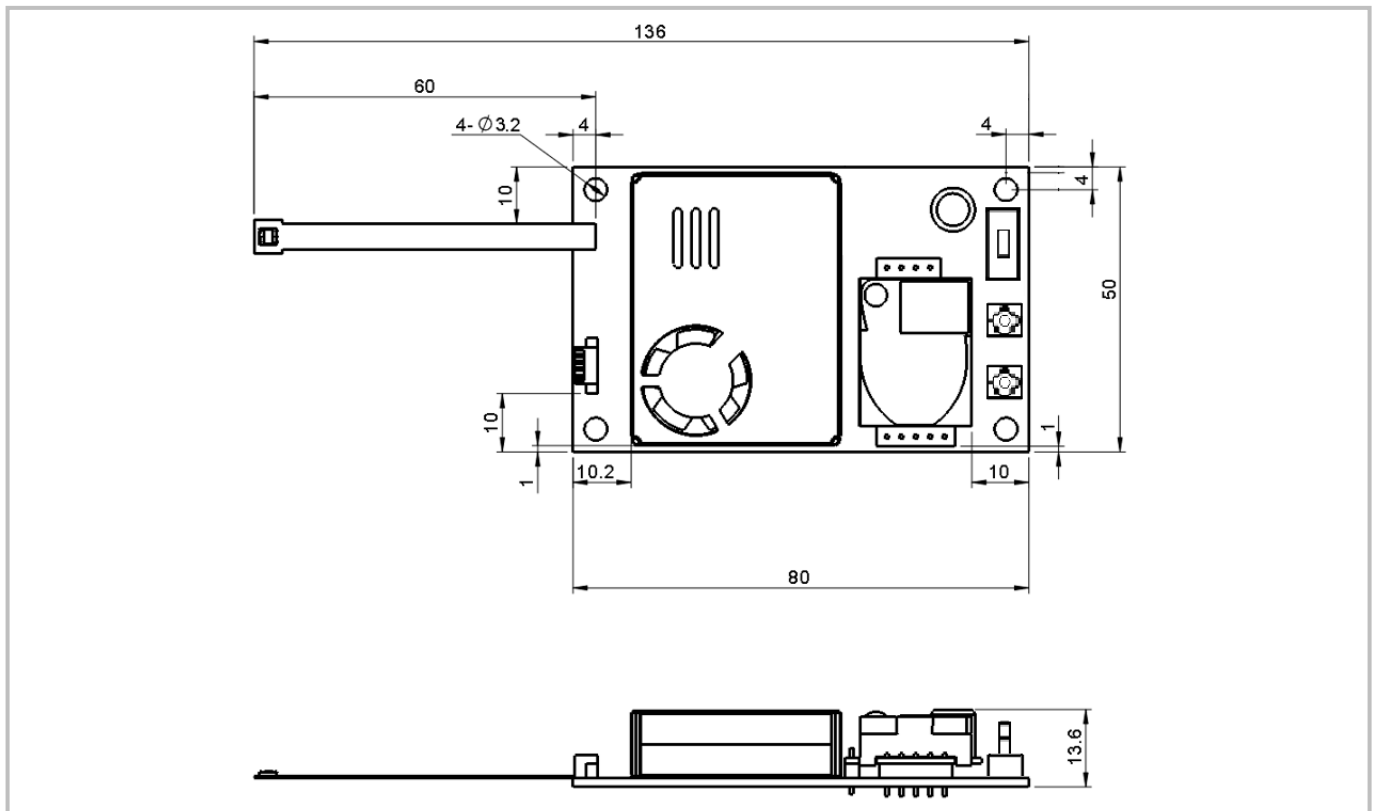
- The PM sensor integrated adopts laser scattering technology to simultaneously detect PM1.0, PM2.5, PM10 mass concentration
- The CO<sub>2</sub> sensor integrated adopts NDIR technology to detect indoor CO<sub>2</sub> concentration
- The VOC sensor is based on semiconductor principle
- The RH&T sensor integrated adopts capacitance resistance materials to detect indoor RH&T

## Specifications

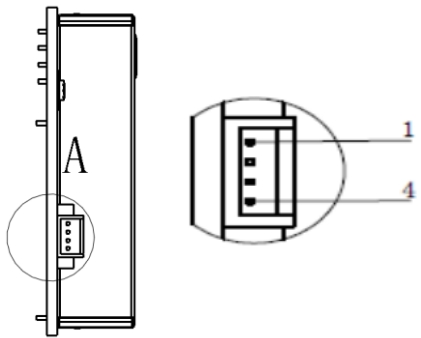
Integrated Indoor Air Quality Sensor Specification	
Operating principle	CO <sub>2</sub> : NDIR technology PM: laser scattering technology VOC: semiconductor
Measurement range	PM: 0 ~ 1,000ug/m <sup>3</sup> CO <sub>2</sub> : 0 ~ 5,000ppm VOC: 0 ~ 3 level Temperature: -20°C ~ 70°C RH: 0 ~ 95%RH
Maximum consistency error for PM1.0/PM2.5	≤100ug/m <sup>3</sup> , ±10ug/m <sup>3</sup> >100ug/m <sup>3</sup> , ±10% of reading Condition: 25 ±2°C, 50±10%RH, Reference instrument: GRIMM, Dust Source: Cigarette + Arizona A1
Maximum consistency error for PM10	0 ~ 100ug/m <sup>3</sup> , ±25ug/m <sup>3</sup> 101 ~ 1,000ug/m <sup>3</sup> , ±25% reading Condition: 25 ±2°C, 50±10%RH, Reference instrument: GRIMM, Dust Source: Cigarette + Arizona A1
CO <sub>2</sub> measurement accuracy	± (50ppm+5% of reading) @25 ±2°C, 50 ±10%RH
Temperature accuracy	±1°C @25 ±2°C, 50 ±10%RH
Relative humidity accuracy	0 ~ 80%RH: ±8%RH 80 ~ 99%RH: ±10%RH
PM preheating time	≤8 sec
CO <sub>2</sub> preheating time	≤30 sec
VOC preheating time	≤120 sec
Data refresh rate	1 sec
Working condition	-10 ~ 50°C, 0 ~ 99%RH (Non-condensing)
Storage condition	-20 ~ 60°C, 0 ~ 99%RH (Non-condensing)
Working voltage	DC 5V ±0.1V, ripple wave < 50mV
Average working current	≤300mA
Signal output	UART TTL (3.3V TTL), I2C
Dimension	W80mm x H50mm x D13.6mm
Life span	MTTF of PM sensor= 37,297Hrs (continuous turn on) CO <sub>2</sub> ≥10 years VOC ≥10 years

## Dimensions and Connector

### 1. Dimensions (Unit mm, tolerance $\pm 0.2$ mm)



### 2. I/O Connector Pin out



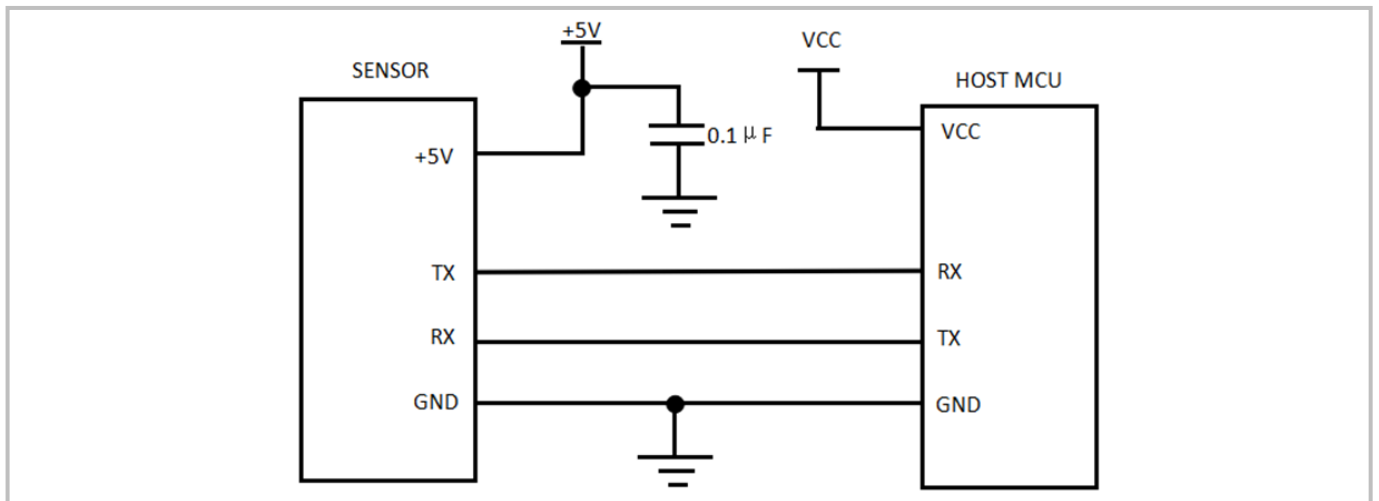
No.	Pin	Description
1	GND	Power supply input (GND)
2	RX/SDA	UART-RX input (TTL@3.3V) / I2C data
3	TX/SCL	UART-TX output (TTL @3.3V) / I2C Clock
4	+5V	Power supply input (+5V)

### 3. Connector and Cables

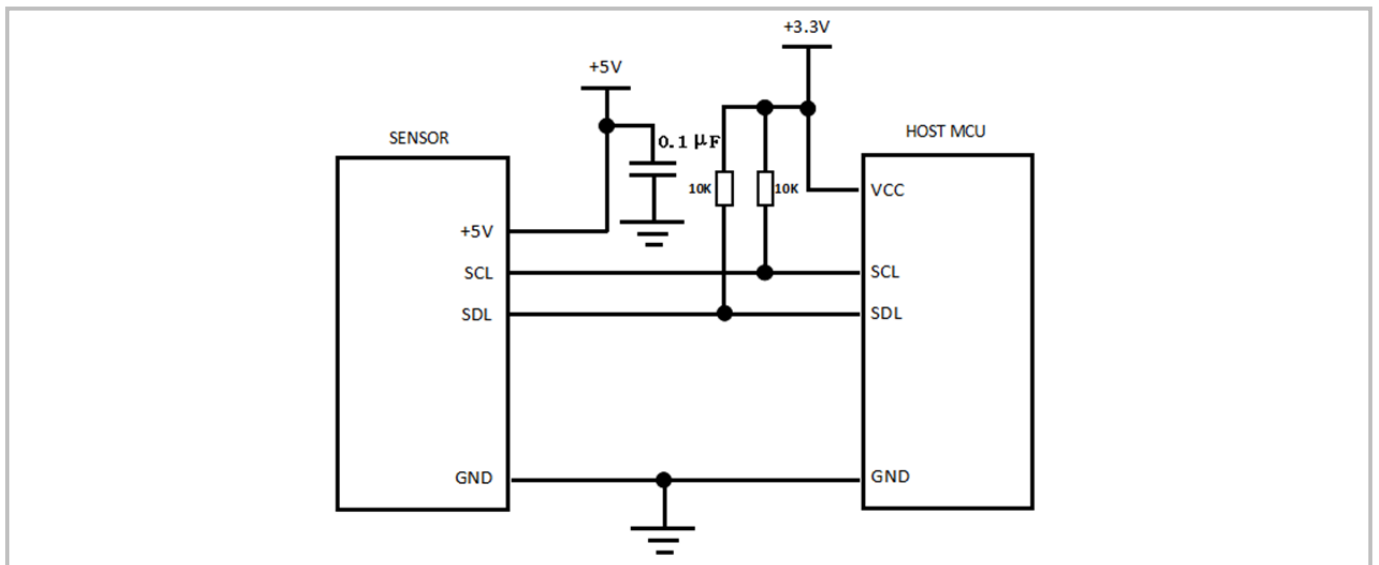
Item	Part Number	Pitch	Recommendation Manufacturer
Connector	12505WR-04	1.25mm	YEONHO ELECTRONICS
Cables	12505HS-04	1.25mm	YEONHO ELECTRONICS

## Application Circuit

### Application 1: UART TTL 3.3V UART output



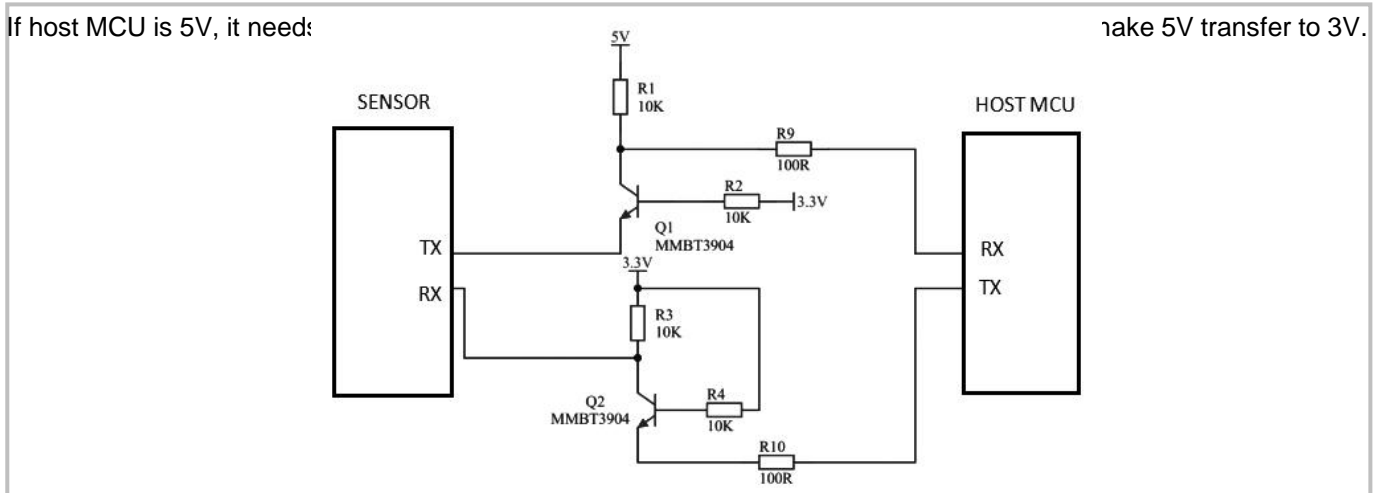
### Application 2: I2C 3.3V output



### Test scenarios 3: 3.3V ~ 5V switching circuit diagram

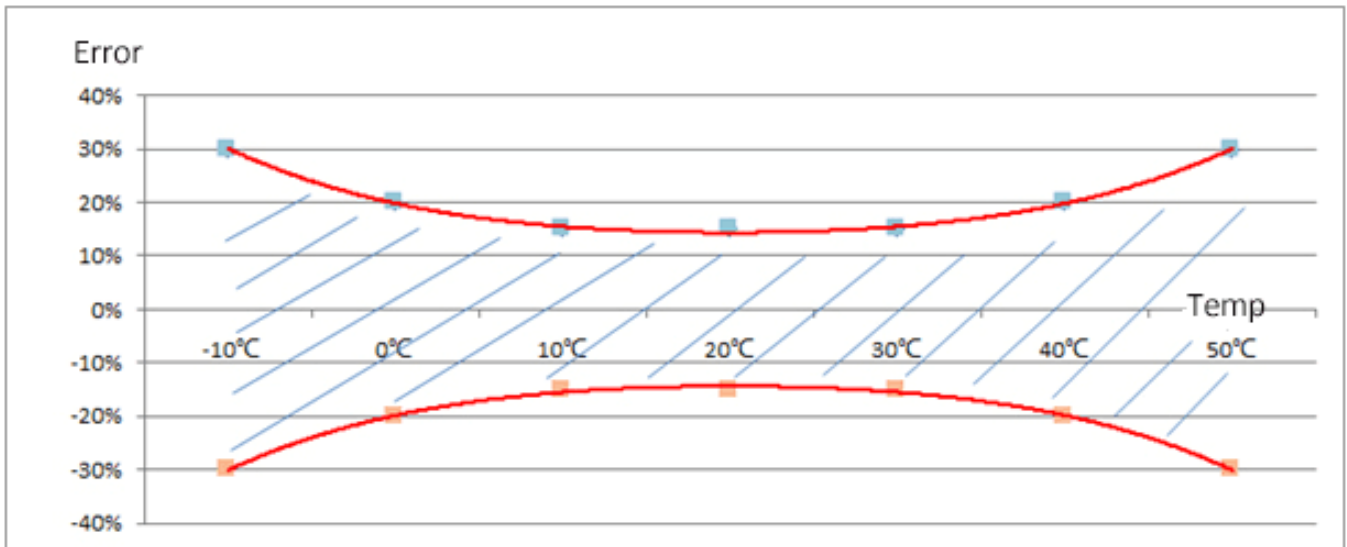
If host MCU is 5V, it need:

take 5V transfer to 3.3V.



## Temperature Influence Curve

### PM Temperature Influence Curve



Measured error: under  $25^{\circ}\text{C} \pm 2^{\circ}\text{C}$ ,  $50 \pm 10\% \text{RH}$ ,  $0 \sim 1,000 \mu\text{g}/\text{m}^3$ , consistency and accuracy of  $\text{PM}_{1.0}/\text{PM}_{2.5}$  is  $\pm 10\%$  reading or  $\pm 10 \mu\text{g}/\text{m}^3$ , take the biggest value

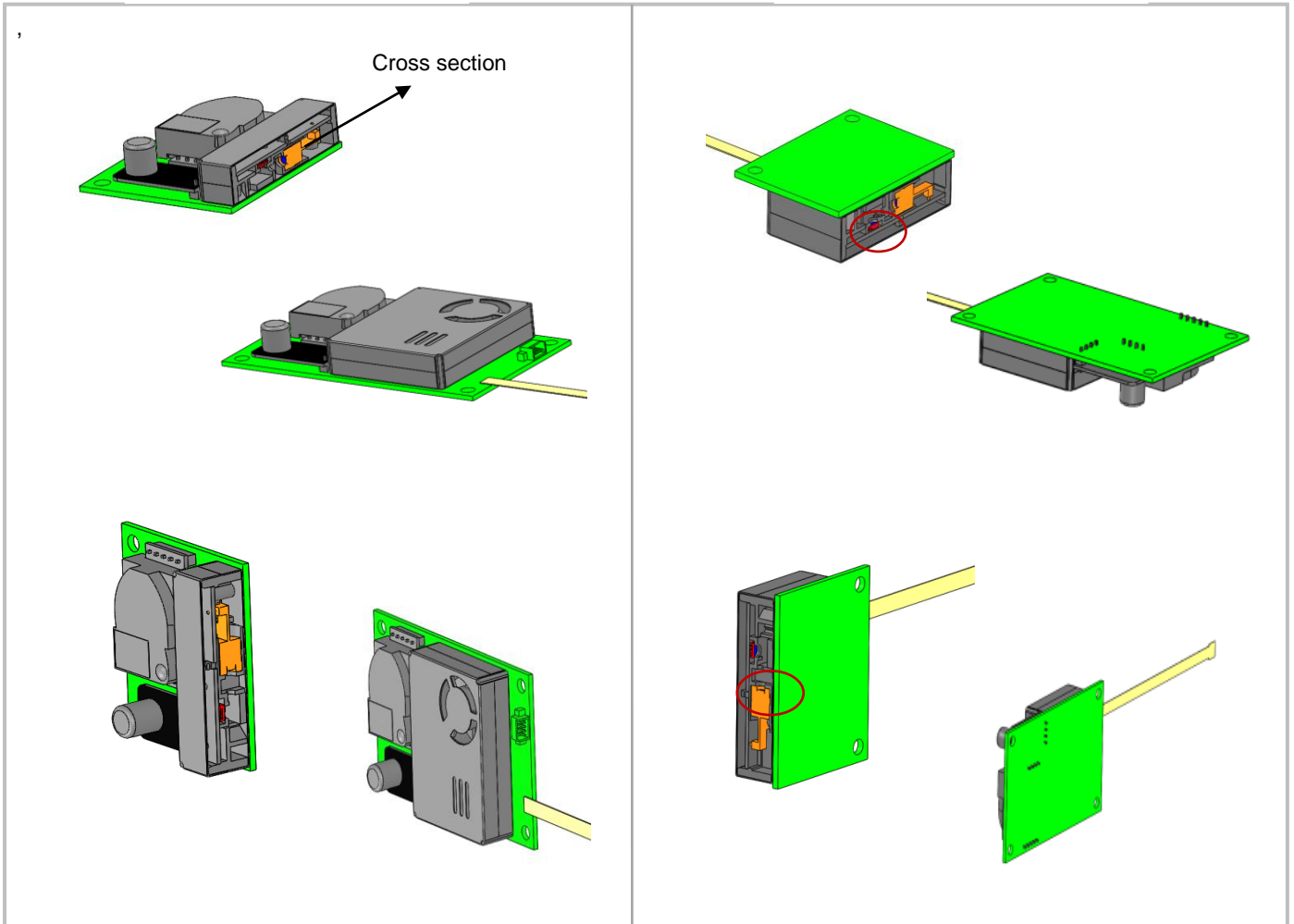
Temperature influence coefficient:  $0.5\%/\text{C} \sim 1\%/\text{C}$  or  $0.5 \mu\text{g}/\text{m}^3/\text{C} \sim 1 \mu\text{g}/\text{m}^3/\text{C}$ , take the biggest value.

## Product Installation

- When installing AM1008W module in your system or equipment, please make sure of unobstructed air-inlet and air- outlet. And there is no huge airflow faced to air-inlet and air-outlet.
- In order to avoid dust deposition on the surface of the sensitive component (laser diode and photosensitive diode), which may affect the measurement accuracy of the sensor, the appropriate installation ways are recommended as below.

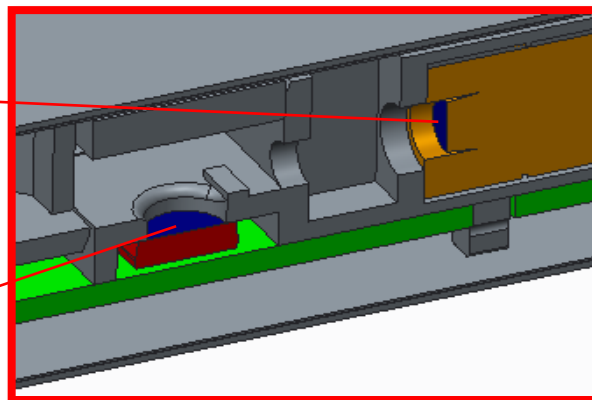
**Recommended Installation**

**Non-Recommended Installation**



The blue is the front of laser diode

The blue is the front of photodiode





## User Attention

---

- AM1008W sensor module is for household electronics products. For application of medical, mining, disaster preparedness, which needs high security and high dependence, this sensor is not suitable.
- The laser dust sensor adopts non-static adsorption materials such as metal, please avoid to working under the high particle concentration environment.
- When you use the laser dust sensor, please make sure of unobstructed air-inlet and air-outlet. The CO<sub>2</sub>, VOC using diffusion for sampling, the gas diffusion hole should be reserved.
- This sensor module should avoid working outdoors or in the heavy dust environment. Protection against sandstorm, rain, snow and willow floccus should be completed by the user equipment.
- When using the laser dust sensor, it's recommended to add 50 ~ 60 mesh protective filters to the air inlet position, to prevent the pollution of large particles of dust, floccules, hair etc on the detection data.
- When the sensor module is applied to air purifier or detection equipment, the sensor should be installed more than 20cm above the ground, to avoid the fan couldn't work normally due to the pollution of large dust and floccus.

# UART Communication Protocol

## 1. General Statement

- 1). The data in this protocol are all hexadecimal data. Such as "46 for decimal [70]"
- 2). [xx] for single-byte data (unsigned, 0 ~ 255); high byte of double byte data is in the front, the low byte in the back
- 3). Baud rate: 9,600, data bits: 8, stopbits:1, parity: No.

## 2. Format of Serial Communication Protocol

Sending format of software:

Start Symbol	Length	Command	Data 1	.....	Data n.	Check Sum
HEAD	LEN	CMD	DATA1	.....	DATAn	CS
11H	XXH	XXH	XXH	.....	XXH	XXH

Detail description on protocol format:

Protocol Format	Description
Start	Command sending fixed [11H], the module respond fixed [16H]
Length	Frame bytes length= data length +1 (including CMD+DATA)
Command	Command
Data	Data of writing or reading, unfixed length
Check sum	Cumulative sum of data= 256 - (HEAD+LEN+CMD+DATA)

## 3. Command Table of Serial Protocol

Item No.	Function Description	Command
1	Read measurement result	0x01
2	CO <sub>2</sub> calibration	0x03
3	Open / close particle measurement	0x0C
4	Set up and read particle measurement time	0x0D
5	Set up and read timing measurement mode	0x05
6	Set up and read dynamic working mode	0x06
7	Set up and read particle calibrated coefficient	0x07
8	Open / close laser diode	0x08
9	Read software version	0x1E
10	Read serial number	0x1F

## 4. Protocol Description

### 4.1 Read Measurement Result

**Send:** 11 02 01 01 EB (DF0 added)

**Response:** 16 16 01 DF1 DF2 DF3 DF4 DF5 DF6 DF7 DF8 DF9 DF10 DF11 DF12 DF13 DF14 DF15 DF16 DF17 DF18 DF19 DF20 DF21 [CS]

**Function:** to read CO<sub>2</sub>, VOC, RH, Temp, (GRIMM) PM1.0, PM2.5, PM10, (TSI) PM1.0, PM2.5, PM10 state CS  
Statement:

Response data bit:

16 16 01 02 C2 00 03 00 32 00 19 00 53 00 63 00 73      00 64      00 FA      00 FA      01      XX  
CO<sub>2</sub>   VOC   RH   Temp   PM1.0   PM2.5   PM10   VOC Now/Ref. %   VOC Ref. R Value   VOC Now R Value   state   CS

Item	Data Bit	Decimal Effective Value Range	Corresponding Value	Multiple
CO <sub>2</sub>	[DF1] [DF2]	0 ~ 5,000	0 ~ 5,000 ppm	1
VOC	[DF3] [DF4]	0 ~ 3	0 ~ 3 level	1
Related humidity	[DF5] [DF6]	50 ~ 990	0 ~ 99.0 %	10
Temperature	[DF7] [DF8]	300 ~ 1,200	-20 ~ 70°C	10
PM1.0 (GRIMM)	[DF9] [DF10]	0 ~ 1,000	0 ~ 1,000ug/m <sup>3</sup>	1
PM2.5 (GRIMM)	[DF11] [DF12]	0 ~ 1,000	0 ~ 1,000ug/m <sup>3</sup>	1
PM10 (GRIMM)	[DF13] [DF14]	0 ~ 1,000	0 ~ 1,000ug/m <sup>3</sup>	1
VOC Now / Ref. %	[DF15] [DF16]	0 ~ 1,000	0 ~ 1,000%	1
VOC Ref. R Value	[DF17] [DF18]	0 ~ 65,000	0 ~ 650,000Ω	0.1
VOC Now R Value	[DF19] [DF20]	0 ~ 65,000	0 ~ 650,000Ω	0.1
State	[DF21]			1

1. Temperature data is added 500 upon practical measurement result.

For example, -20°C is corresponding to value 300. Temperature value= (DF7 \* 256 + DF8 - 500) / 10.

2. The measurement result comes out with two data bits, high bit is on the head, and the low bit is after then.

Measurement result= DF<sub>n</sub> \* 256 + DF<sub>n+1</sub>

3. Status bit: status alarming. (When the working temperature and fan speed of PM2008 is abnormal)

Bit	Bit7	Bit6	Bit5	Bit4	Bit3	Bit2	Bit1	Bit0
Alarming	Reserved	Reserved	Reserved	Reserved	1: Working temperature is low	1: Working temperature is high	1: Fan at low revolving speed	1: Fan at high revolving speed

### 4.2 CO<sub>2</sub> Calibration

**Send:** 11 03 03 DF1 DF2 [CS]

**Response:** 16 01 03 E6

**Function:** CO<sub>2</sub> calibration

**Statement:** Format statement:

Item	Data Bit	Decimal Effective Value Range	Corresponding Value	Multiple
Calibration target value	[DF1] [DF2]	400 ~ 1,500	400 ~ 1,500 ppm	1

1. Calibration target value= DF1 \* 256 + DF2
2. Before CO<sub>2</sub> calibration, make sure that the current ambient CO<sub>2</sub> value is the target value you want to calibrate and that the stable time is at least 2 minutes.

#### 4.3 Open and Close Particle Measurement

**Send:** 11 03 0C DF1 1E [CS]

**Response:** 16 02 0C DF1 [CS]

**Function:** open and close particle measurement

**Statement:**

1. When send command, DF1= 02 is measurement open; DF1= 01 is measurement close;
2. When respond command, DF1= 02 is measurement open; DF1= 01 is measurement close;
3. When the sensor receives command for measurement open, it will go into continuous measuring mode;

If send: 11 03 0C 02 1E C0 // open particle measurement

Response: 16 02 0C 02 DA // the sensor module is under measurement open status

If send: 11 03 0C 01 1E C1 // close particle measurement

Response: 16 02 0C 01 DB // the sensor module is under measurement close status

#### 4.4 Set up and Read Particle Measuring Time

**Send:** 11 03 0D DF1 DF2 [CS] // set up particle measuring time

**Send:** 11 01 0D E1 // read particle measuring time

**Response:** 16 03 0D DF1 DF2 [CS]

**Function:** Read particle measuring time

**Note:**

1. Particle measuring time= DF1 \* 256 + DF2, unit is second. Minimum measuring time is 36 seconds. Time range is 36 ~ 65,535 seconds. After setting up xx seconds particle measuring time, the sensor will stop working first, then you can send "Open / command" to start single xx seconds measuring.
2. When measuring time is ≥ 65,531, it means module will be in continuous measuring mode once powered on. It will not stop until "stop" command is sent.

#### Continuously working mode:

When continuously measuring mode is set, sensor situation is 2. When PM1.0 is less than 5ug/m<sup>3</sup>, then measuring is close (situation changes to 0x80, only the laser diode turns off for 5 seconds) and outputs the last value in standby mode. After 5 seconds, the PM sensor resumes the measurement for 4 seconds, If PM1.0 measuring data within the 4sec is less than 5ug/m<sup>3</sup>, then measuring is close (situation changes to 0x80, only the laser diode turns off for 5 seconds). Otherwise, the sensor will go ahead testing until the PM1.0 measuring data is less than 5ug/m<sup>3</sup>.

**Example:**

**Send:** 11 03 0D 00 24 BB // set up single measuring mode; measuring time is 36sec

**Response:** 16 03 0D 00 24 B6 // measuring time is set up successfully

**Send:** 11 03 0D FF FF E1 // set up continuously measuring mode (Repowering on means to start measuring status)

**Response:** 16 03 0D FF FF DC // continuously measuring mode is set up successfully

**Send:** 11 01 0D E1 // read particle measuring time

**Response:** 16 03 0D FF FF DC // read successfully

#### 4.5 Set up Timing Measuring Mode

**Send:** 11 03 05 DF1 DF2 [CS] // set up particle measuring mode

**Send:** 11 01 05 E9 // read particle measuring mode

**Response:** 16 03 05 DF1 DF2 [CS]

**Function:** Read particle measuring time

#### Note:

1. Particle measuring mode value  $X = DF1 * 256 + DF2$ , unit is second;
2. When  $X \geq 180$ , it means module is under timing measuring mode. Measurement timing cycle is X seconds. The sensor module will start measurement every X second. Default measuring time is 36 seconds.
3. Range for X, minimum timing period is 3 minutes

**Send:** 11 03 05 02 05 E0 // Set up as timing measuring mode, and timing cycle is 517 seconds.

**Response:** 16 03 05 02 05 DB // Set up successfully

#### 4.6 Set up Dynamic Measuring Mode

**Send:** 11 02 06 DF1 [CS] // Set up dynamic particle measuring mode

**Send:** 11 01 06 E8 // Read dynamic particle measuring mode

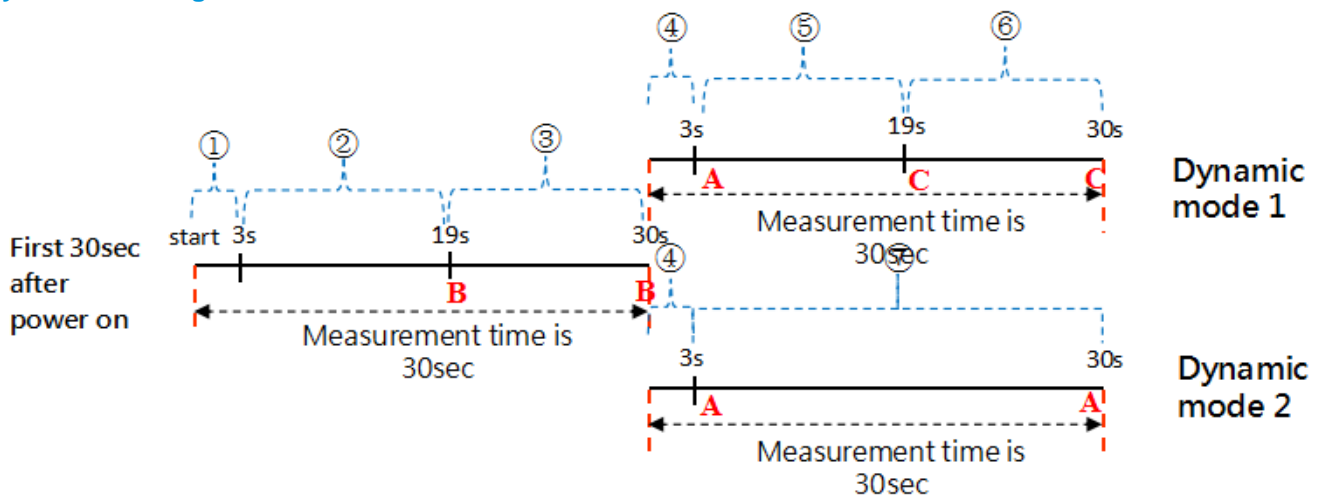
**Response:** 16 02 06 DF1 [CS]

**Function:** Read / set up particle dynamic measuring mode

#### Note:

1. Particle dynamic measuring mode result DF1.
2. When  $DF1 = 0$ , close dynamic measuring mode. When  $DF1 = 1$ , start dynamic measuring mode.

#### Dynamic Working Mode:



After sensors are in dynamic working mode, start measuring every 30sec. The sensor starts the measurement for the first 3 seconds.

After 3 seconds of measurement, the sensor starts measuring again continuously for 16 seconds and outputs the B value.

The laser diode turns off for 11 seconds, enters the standby state, and outputs the B value.  
After the first 30 second period, the sensor starts a new 3 second measurement and outputs the A value.

① If  $|A-B| > 10\mu\text{g}/\text{m}^3$  or  $|A-B| / B > 10\%$ , the sensor selects Dynamic mode 1. The sensor measures continuously for 16 seconds and outputs the C value.

The laser diode turns off for 11 seconds, enters the standby state, and outputs the C value.

② If  $|A-B| < 10\mu\text{g}/\text{m}^3$  or  $|A-B| / B < 10\%$ , the sensor selects Dynamic mode 2 and stores A value, then enters standby state for 27 seconds and outputs A value.

Regardless of the dynamic mode A or B, the sensor starts a new 30 second measurement cycle by starting the initial 3 second measurement. Compare the measured value with the previously stored value for the initial 3 seconds and select Dynamic mode 1 or 2 again.

**Send:** 11 02 06 01 E6 // Set up opening dynamic particle measuring mode

**Response:** 16 02 06 01 E1 // Set up successfully

**Send:** 11 02 06 00 E7 // Set up closing dynamic particle measuring mode

**Response:** 16 02 06 00 E2 // Set up successfully

**The module can support 4 kinds of working mode (Single + Continuous + Timing + Dynamic).**

It can be switched between these 4 kinds of working mode.

It is continuous working mode by default after leaving factory.

These 4 kinds of working mode can be switched by sending commands, as following:

1. Send: 11 03 0D 00 24 BB // Single measuring mode, time is 36sec
2. Send: 11 03 0D FF FF E1 // Continuously measuring mode
3. Send: 11 03 05 02 05 E0 // Timing measuring mode, interval time is 517 seconds
4. Send: 11 02 06 01 E6 // Dynamic measuring mode

#### 4.7 Set up and Read Particle Calibrated Coefficient

**Send:** 11 02 07 DF1 [CS] // Set up particle calibrated coefficient. DF1 means calibrated coefficient

**Send:** 11 01 07 E7 // Read particle calibrated coefficient

**Response:** 16 02 06 DF1 [CS]

**Function:** Read / set up particle calibrated coefficient

#### Note:

1. Range 70 ~ 150 $\mu\text{g}/\text{m}^3$ . Corresponding coefficient: 0.7 ~ 1.5

#### Description:

1. When there is difference between standard device, calibrated coefficient can be set to correct the final value.
2. When calibrated coefficient is set, the value of PM1.0, PM2.5, and PM10 will be all corrected by this coefficient.

#### 4.8 Close / Open Laser Diode

**Send:** 11 02 08 04 E1 // Close laser diode

**Send:** 11 01 08 E6 // Read status

**Response:** 16 02 08 04 DC

**Note:**

When laser diode is closed, the sensor will stop measuring but the FAN will stay working. The measuring data will keep the same with the last time measured data. If to open the laser diode again, you can use "Open/ close particle measurement' command.

#### 4.9 Read Software Version Number

**Send:** 11 01 1E D0

**Response:** 16 0B 1E DF1 DF2 DF3 DF4 DF5 DF6 DF7 DF8 DF9 DF10 [CS]

**Function:** Read software version

**Note:**

Software version= "DF1 ~ DF10"

Should change the HEX code to ASCII code.

**Example:**

HEX code: 16 0E 1E 50 4D 20 56 31 2E 32 36 2E 35 2E 32 38 E9

ASCII code: PM V1.26.5.28

#### 4.10 Read Serial Number

**Send:** 11 01 1F CF

**Response:** 16 0B DF1 ~ DF10 [CS]

**Function:** Read serial number

**Note:** Serial number= DF1 ~ DF10

**Example:**

**Response:** 16 0B 1F 00 00 00 7E 09 07 07 0E 0D 72 9E

**Serial number:** 126 2311 1806 3442

#### 4.11 VOC sensor baseline adjustment

**Send:** 11 03 09 00 00 E3

**Response:** 16 03 09 00 00 CS

**Function:** To do baseline adjustment of VOC sensor

**Note:** 00 00 is the reserved byte

## I2C Communication Protocol

### 1. Brief Introduction

This is an I2C protocol for AM1008W. The sensor module is lower computer, which is not able to initiate communication automatically. Communication is initiated via main controlled board, which reads data and sends control commands.

I2C Communication clock frequency  $\leq 30\text{KHz}$ .

### 2. Communication Common Description

START: start signal, send by main controlled board;

STOP: stop signal, send by main controlled board;

ACK: acknowledge signal, send by the sensor module if in bold; otherwise, send by main controlled board;

NACK: non-acknowledge signal, send by the sensor module if in bold; otherwise, send by main controlled board;

Dx: receive and send data; send by the sensor module if in bold; otherwise, send by main controlled board.

### 3. Protocol Detailed Description

#### 3.1 Send Command Data

Receive by main controlled board:

START+WRITE+ACK+D1+ACK+ D2+ACK..... +D7+ACK+STOP

Data	Byte Content	Description
Device address	Sensor address and read / write command	This byte is 0x50 when write data
D1	0x16	Frame header
D2	Frame length	Number of bytes, not including the length of device address (From D1 to D7, 7 bytes in total)
D3	Data1	Control command of the PM Sensor: Close measurement: 0x01; Open measurement: 0x02 Set up single measurement: 0x0D Set up continuously measurement: 0x0C Set up timing measurement: 0x05; Set up dynamic measurement: 0x06 Other function: CO <sub>2</sub> calibration: 0x03; Set up PM calibration coefficient: 0x07
D4	Time data, high byte DF1/CO <sub>2</sub> Calibration value, high byte / PM Coefficient	Time data: Set the working mode time of PM2.5 sensor Total time= DF1 * 256 + DF2, Unit(s) Details as below: CO <sub>2</sub> Calibration value= DF1 * 256 + DF2, Unit: ppm;
D5	Time data, low byte DF2/CO <sub>2</sub> Calibration value, low byte	PM Coefficient: Set the coefficient of Dust sensor
D6	Reserve	
D7	Data check code	Check code= (D1^D2^.....^D6)



## Description and Setting Working Mode for PM Sensor

1. PM Sensor power on default continuously working mode

2. PM Sensor have 4 working mode: continuously measure, dynamic measuring, single measurement, timing measurement. It must be in one of working mode when the sensor power on.

3. PM Sensor can be switched in all the working modes, when power off, it will not save the working mode. If power on again, it defaults continuously working mode

4. Dynamic Measuring Mode:

After sensors are in dynamic measuring mode, the measuring cycle is 30 seconds.

The sensor starts the measurement for the first 3 seconds. If measuring result within 3 seconds compared with the last time measured result meets situation ① the sensor will go on testing for another 16 sec, then the measurement is closed for 11 sec (only laser diode is off) until next new 30 sec measuring cycle.

Change range is  $>\pm 10\mu\text{g}/\text{m}^3$  or  $>\pm 10\%$

If measuring result within 3 seconds compared with the last time measured result meets situation ②, the measurement is closed for 27 sec until the next new 30 sec measurement cycle starts.

② Change range is  $<\pm 10\mu\text{g}/\text{m}^3$  or  $<\pm 10\%$

5. Timing mode and single mode need to combine with P4, P5 to set the time. Details as below table:

PM Sensor Mode	D4	D5	Description	Remark
Close	-----		Byte data is no meaning to measurement	
Open	-----		Byte data is no meaning to measurement	After closed then open the measurement mode like before
Single measurement	DF1	DF2	Single measurement range: 36 ~ 65,530 Unit: sec It's invalid if not in this range	
Continuously measurement	-----		Byte data is no meaning to measurement	
Timing measurement	DF1	DF2	Timing measurement range: 180 ~ 65,530 Unit: sec It's invalid if not in this range	Start the measurement for each cycle, and the measurement time is 36 sec
Dynamic measurement	-----		Byte data is no meaning to measurement	

### Other description:

1. Set the PM coefficient, calibration coefficient range: 70 ~ 150, Corresponding calibration coefficient: 0.7 ~ 1.5.
2. Set the calibration value of CO<sub>2</sub>, the range is 400 ~ 1,500 ppm.
3. CO<sub>2</sub> measurement range is 0 ~ 5,000ppm.

## Read Data Command

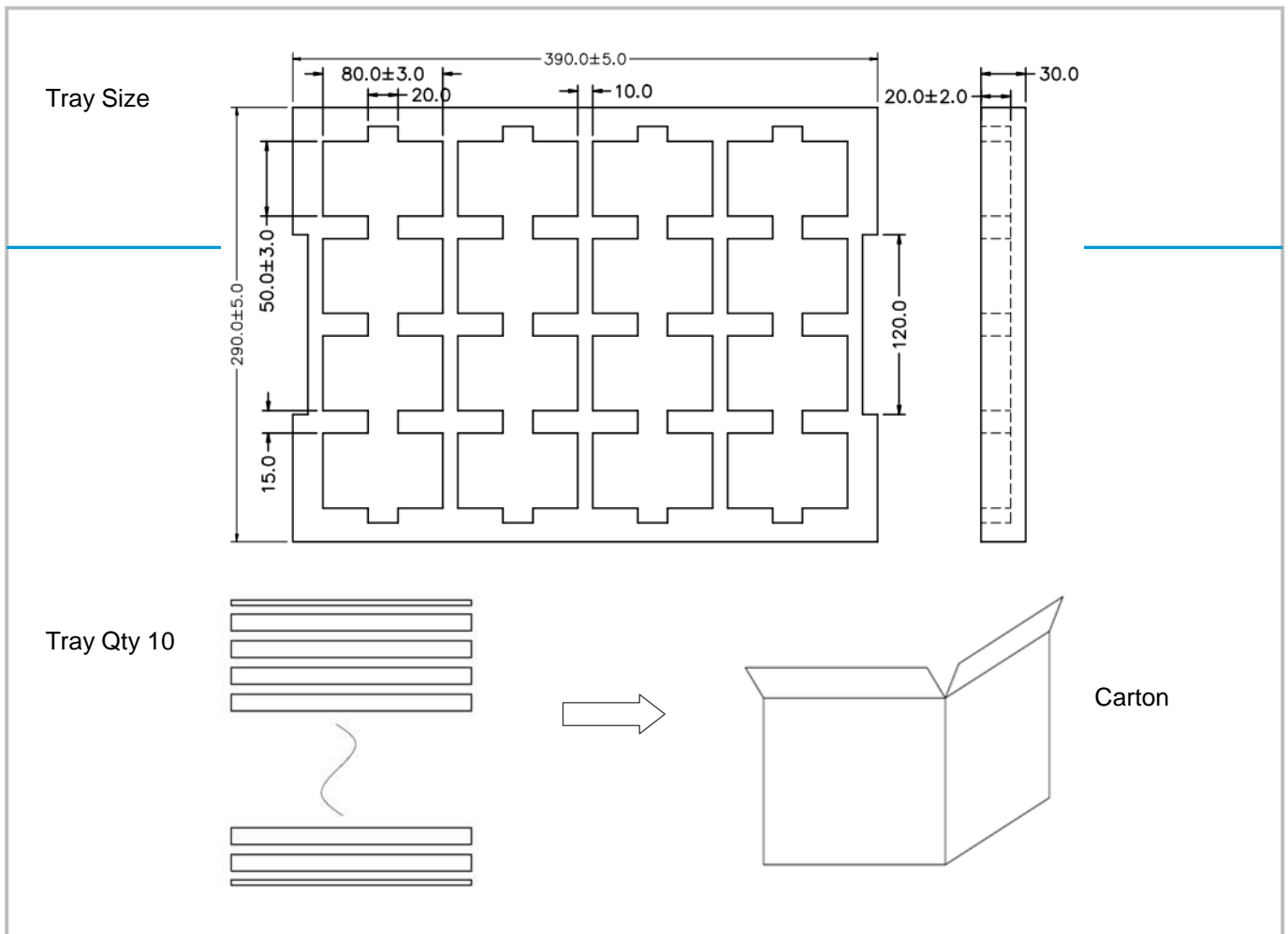
Send by main controlled board: START+READ+ACK+D1+ACK+D2+ACK+.....+D25+NACK+STOP

Data	Byte Content	Description
Device address	Sensor address and read / write command	This byte is 0x51 when read data
D1	0x16	Frame header
D2	Frame length	Number of bytes, not including the length of device address. (From D1 ~ D25, 25 bytes in total)
D3	PM2.5 Sensor status	Close: 0x00; Single measuring mode: 0x0D Continuous measuring mode: 0x0C Timing measuring mode: 0x05; Dynamic measuring mode: 0x06
D4	Data 1 High byte	CO <sub>2</sub> concentration, Unit: PPM
D5	Data 1 Low byte	
D6	Data 2 High byte	VOC level output
D7	Data 2 Low byte	
D8	Data 3 High byte	Humidity, Unit: %RH (Humidity= (measure data/10))
D9	Data 3 Low byte	
D10	Data 4 High byte	Temperature, Unit: °C [Temperature= (measure data - 500) / 10]
D11	Data 4 Low byte	
D12	Data 5 High byte	PM1.0 (GRIMM)
D13	Data 5 Low byte	
D14	Data 6 High byte	PM2.5 (GRIMM)
D15	Data 6 Low byte	
D16	Data 7 High byte	PM10 (GRIMM)
D17	Data 7 Low byte	
D18	Data 8 High byte	VOC Now R / Ref. R (%)
D19	Data8 Low byte	
D20	Data 9 High byte	VOC Ref. R Value
D21	Data 9 Low byte	
D22	Data 10 High byte	VOC Now R Value
D23	Data 10 Low byte	
D24	State	State
D25	Data check code	check code= (D1^D2^ ~ ^D24)

Status alarm (Status of PM2008)

Byte	Bit7	Bit6	Bit5	Bit4	Bit3	Bit2	Bit1	Bit0
Alarming	Reserved	Reserved	Reserved	Reserved	1: Working temperature is low	1: Working temperature is high	1: Fan at low revolving speed	1: Fan at high revolving speed

## Packing Information



Sensor per Tray	Tray Qty	Sensor per Carton	Carton Dimensions	Packing Material
16 pcs	10 layers	160pcs	395 * 310 * 330mm	Red anti-static EPE

## After-Sales Services and Consultancy

Wuhan Cubic Optoelectronics Co., Ltd.

Tel: +86 (0)27 81628827 / Fax: +86 (0)27 81628821 / +82 010-5349-8385 (South Korea Contact)

Add: Fenghuang No.3 Road, Fenghuang Industrial Park, Eastlake Hi-tech Development Zone, Wuhan 430205, China

Web: [www.gassensor.com.cn](http://www.gassensor.com.cn) / E-mail: [info@gassensor.com.cn](mailto:info@gassensor.com.cn) / [malbonair@naver.com](mailto:malbonair@naver.com) (South Korea Contact)